



**Clay County Memorial Hospital**

310 W. South Street  
Henrietta, Texas 76365-3346  
940.538.5621



February 23, 2021

Commissioner Court,

Subject: Replace windows on the second floor.

We are submitting three bids to replace the second floor windows at the Hospital. The Board of Managers voted to accept the bid submitted by Woodco Building Product for \$52,125.00 the Courts approval of this purchase will be appreciated.

Jeff Huskey, CEO

Office 940-235-1200

Email: [jhuskey@ccmhospital.com](mailto:jhuskey@ccmhospital.com)

522 Beverly Dr.  
 Wichita Falls, Texas 76309  
 940-723-1436  
 Fax 940-723-1841

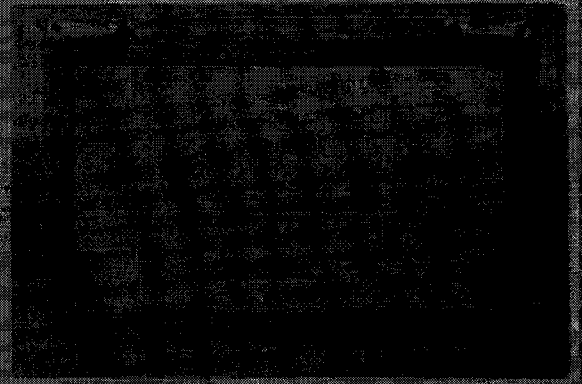
Customer Clay County Memorial Hospital  
 Job Henrietta, TX  
 Salesman ROYCE  
 Date 12-29-20

www.woodcosupply.com

QUANTITY	DESCRIPTION	UNIT	U / M	EXTENDED
	GERKIN 5200 SERIES HOPPER ALUMINUM WINDOW CLEAR ANODIZED LOE 366			
23	4'6" PICTURE WINDOW w/ 18" HOPPER BOTTOM	EA	1145.00	26,335.00
4	2'6" PICTURE WINDOW	EA	525.00	2,100.00
				28,435.00
		Installation		23,750.00
				<u>52,185.00</u>
	QUOTE GOOD FOR 60 DAYS			

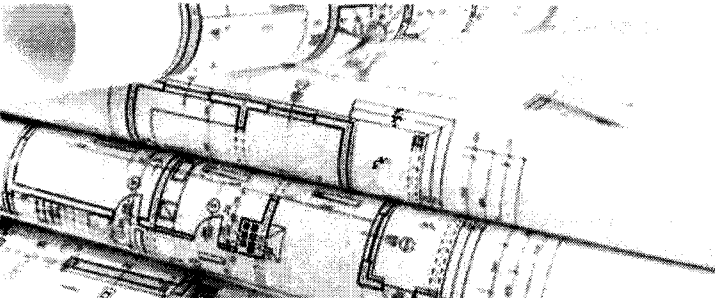
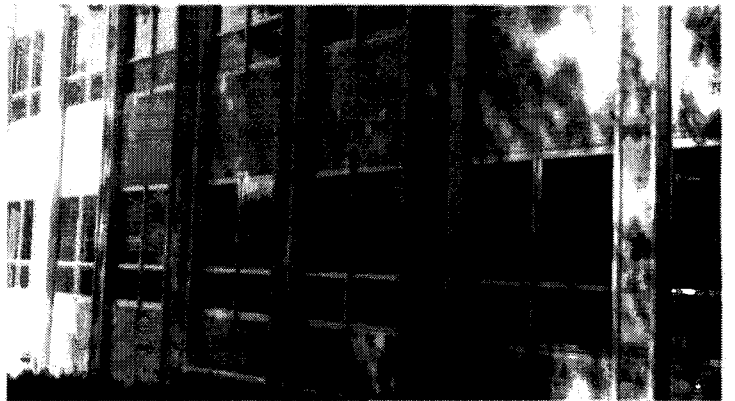


RHINO® SERIES



5200

ALUMINUM HOPPER WINDOW



 **GERKIN™**  
WINDOWS & DOORS

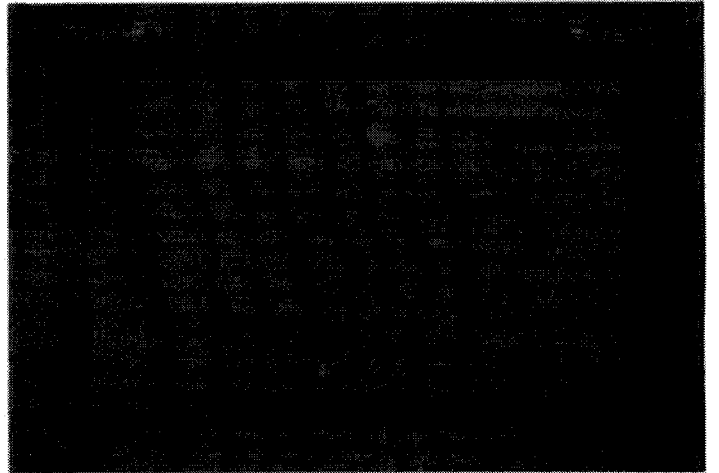
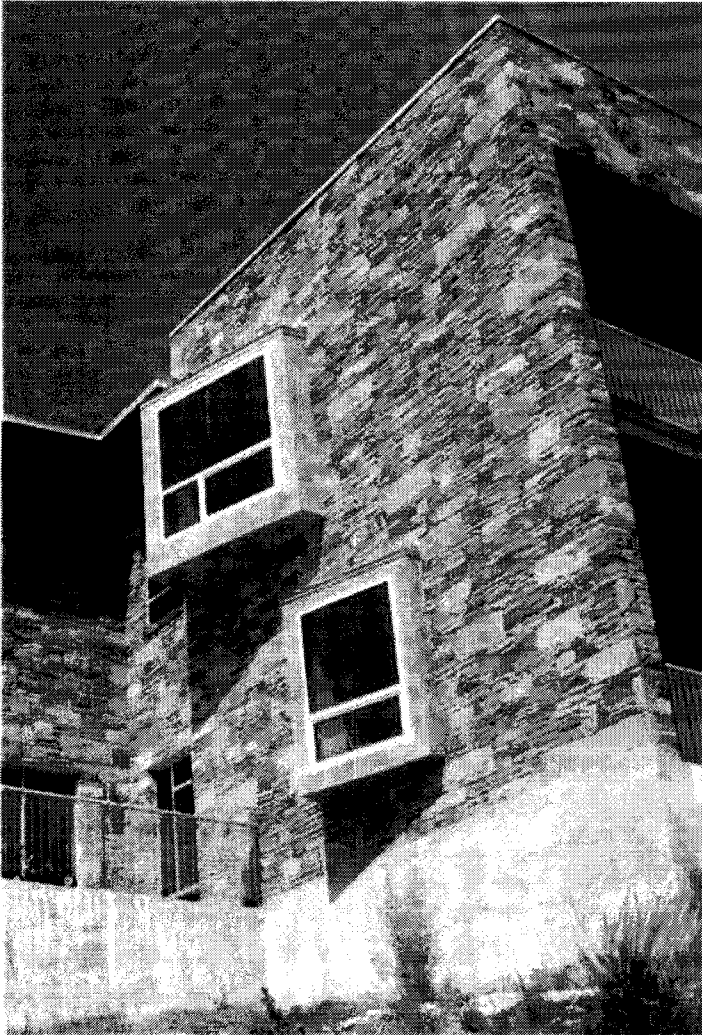
1-800-368-3683 | [gerkin.com](http://gerkin.com)

# 5200

## ALUMINUM HOPPER WINDOW

### DECADES OF PROVEN PERFORMANCE

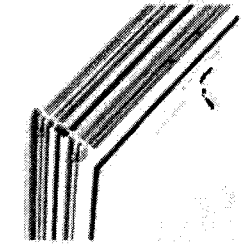
The 5200 Rhino hopper window (projects in) is ideal for single or multi-story commercial projects. This window features a 2 3/8" thermally broken frame depth, reinforced power crimped sash corners and a sash that overlaps the frame allowing for one of the tightest windows on the market. These integrated features reduce heating and cooling loads on HVAC systems, provide long-term energy efficiency as well as utility savings to property owners.



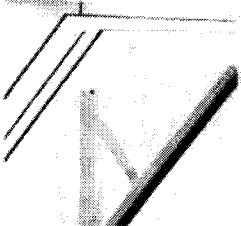
# 5200

## ALUMINUM HOPPER WINDOW

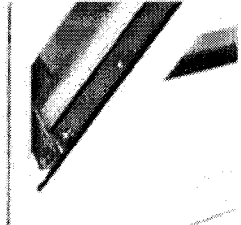
### 5200 HOPPER | FEATURES



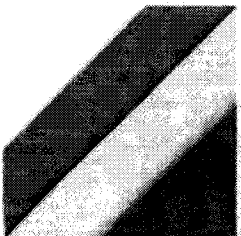
**2 3/8" Thermally Broken Frame Depth:**  
We use a thermally broken frame and sash for improved thermal efficiency.



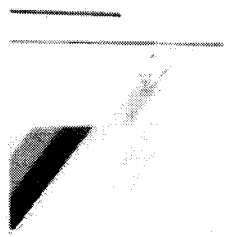
**Sash Corners:**  
Gerkin uses reinforced power crimped sash corners. All sash corners are fortified with two engineered corner keys which are hydraulically crimped, creating a corner built to last for years of trouble free operation.



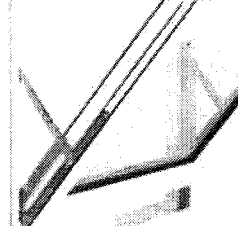
**Sash Overlaps Frame:**  
Gerkin provides two compression seals on every sash and overlaps the frame of the window with one of the seals. This design allows Gerkin to have one of the tightest windows available.



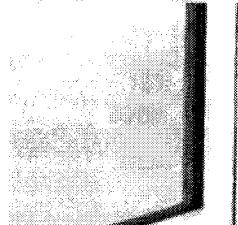
**Color Options:**  
White  
Bronze  
Clear Anodized  
Dark Bronze Anodized



**Cam Action Locks:**  
We use cam locks to compress the weather seals in the tightest manner possible. These locks also include a pole ring, which allows the window to open and close when located at a higher level in a building.



**4-bar Friction Hinge:**  
Four bar friction hinges provide easy operation and tension adjustments.

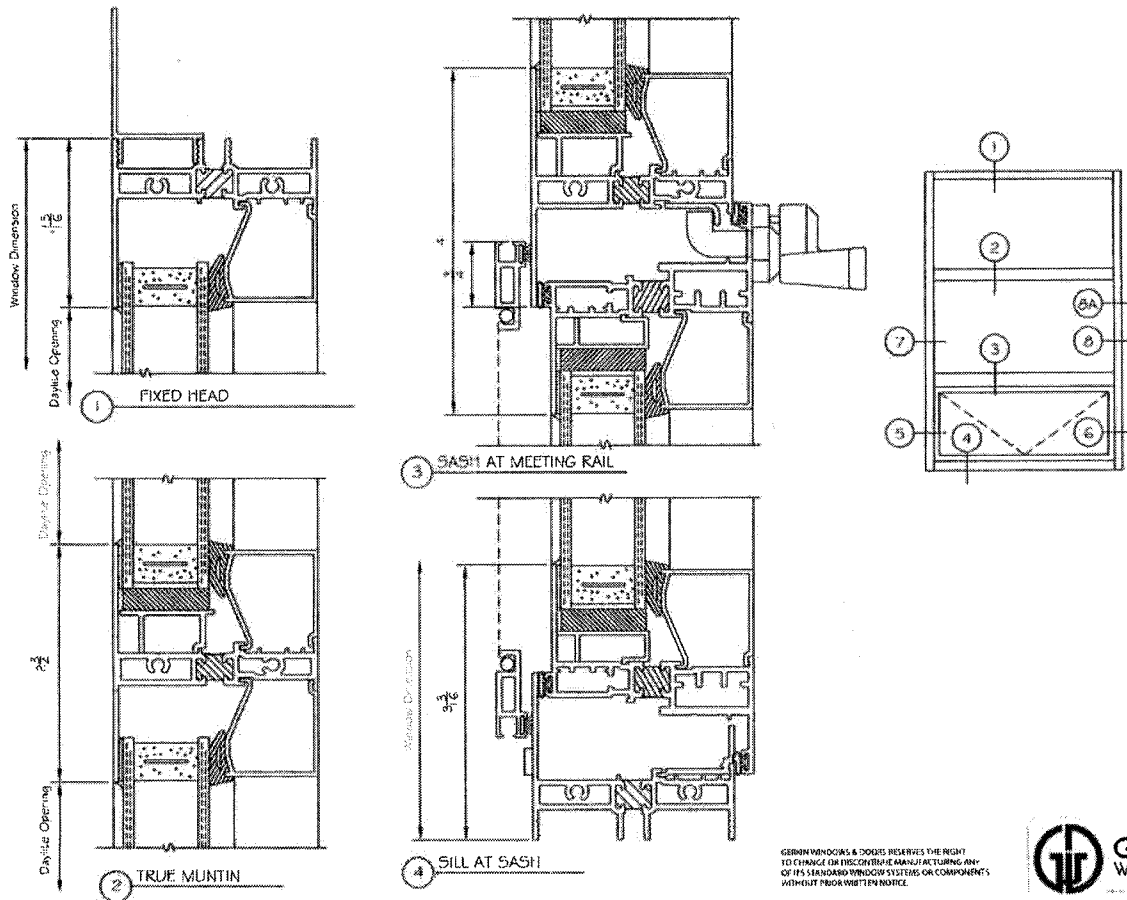


**Extruded Screen Frames:**  
The strength of extruded screen frames is a major maintenance cost advantage for Gerkin over easily damaged roll formed screens.

# 5200

## ALUMINUM HOPPER WINDOW

### 5200 HOPPER | FEATURES



GERKIN WINDOWS & DOORS RESERVES THE RIGHT TO CHANGE OR DISCONTINUE MANUFACTURING ANY OF ITS STANDARD WINDOW SYSTEMS OR COMPONENTS WITHOUT PRIOR WRITTEN NOTICE.



SHEET NO. 1  
5200 SERIES INSWING HOPPER WINDOW



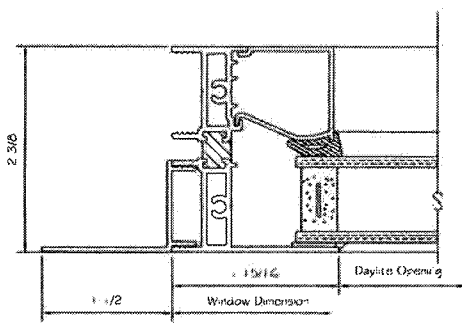
# 5200

## ALUMINUM HOPPER WINDOW

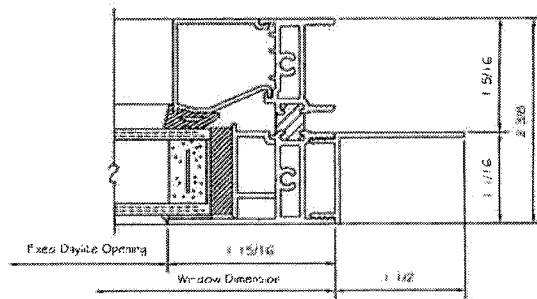
### 5200 HOPPER | FEATURES

SHEETING

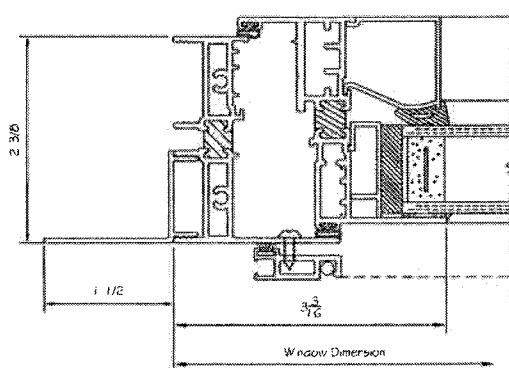
5200 SERIES INSULATING HOPPER WINDOW



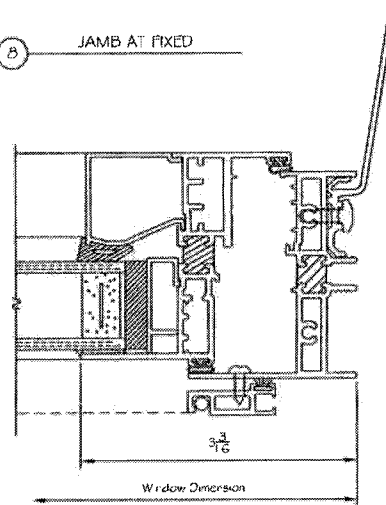
7 JAMB AT FIXED W/  
OPTIONAL NAILING FLANGE



8 JAMB AT FIXED



5 JAMB AT SASH W/  
OPTIONAL NAILING FLANGE



6 JAMB AT SASH W/  
OPTIONAL STRAP ANCHOR



# 5200

## ALUMINUM HOPPER WINDOW



### 5200 HOPPER | TEST RESULTS

#### NFRC | TEST RESULTS

U-Value w/LoE <sup>3</sup> /Argon	.48
Solar Heat Gain Coefficient	.20
Visible Transmittance	.42
Condensation Resistance	.39
U-Value Air Only*	.51

#### AAMA | TEST RESULTS

##### Test Window | 49" x 72" Vert. 2-Life

Class	CW-PG60-AP
Air Infiltration	.01 cfm/sq.ft.
Water	9.00 psf
Structural Wind Load	90.0 psf
Indoor/Outdoor Sound Transmission Class	28
Sound Transmission Class (w/ 1/4 LAM X 1/8 A)	36

#### AAMA | TEST RESULTS

##### Test Window | 61" x 68" Vert. 2-Life

Class	CW-PG55-AP
Air Infiltration	.01 cfm/sq.ft.
Water	8.25 psf
Structural Wind Load	82.5 psf
Indoor/Outdoor Sound Transmission Class	28
Sound Transmission Class (w/ 1/4 LAM X 1/8 A)	36



\*U-Values for our windows with 1/8" 366 LoE3 glass, air only, 1/8" clear glass, no muntins or argon in the air space.

Tested and Certified to AAMA/WDMA/CSA 101/LS 2 A440-08  
U-Values and CRF Values, tested with 1" insulating glass w/LoE3  
U-Value/SHGC/VT/CRF tested to NFRC 100/200/500



1-800-368-3688 | gerkin.com





2701 COMMERCE ST.  
 WICHITA FALLS, TX 76301  
 Tel: 940-766-4269 Fax: 940-766-4030

# Quote

Quote # : **435956**  
 Quote Date : **Sep 28, 2020**  
 Expiration Date : **Oct 28, 2020**

Customer:  
 Clay County Memorial Hospital  
 310 W. South Street  
 Henrietta, TX 76365

Ship To:  
 Clay County Memorial Hospital  
 310 W. SOUTH STREET  
 Henrietta, Tx

Tel: (940) 538-5621 Fax: (940) 538-4249

Account Code : 1034  
 Terms : NET 30  
 Customer Job # :  
 Salesperson : MACK ROBBINS  
 Order Name : 23 Large Single Hung Windows

Purchase Order # :  
 Shipped Via :

**Qty Product Description**

- 23 Aluminum Single Hung Windows 8000 SERIES TV81811 47 7/8" x 67 3/8" C
- 23 Window Frame Onsite Installation
- 23 Misc.Installation
- 23 Equipment

Pre-Tax Total : 82,823.00  
 122 - TX EXEMPT : 0.00  
**Quote Total : 82,823.00**

The above prices are quoted subject to acceptance within 30 days and credit approval. State and local taxes are not included unless specifically noted. All material is FOB our dock. Freight and delivery charges quoted on request. Freight claims for material shipped by common carrier damaged in transit is the responsibility of consignee. Cost of unloading, storage or protection of material at jobsite, is not included.

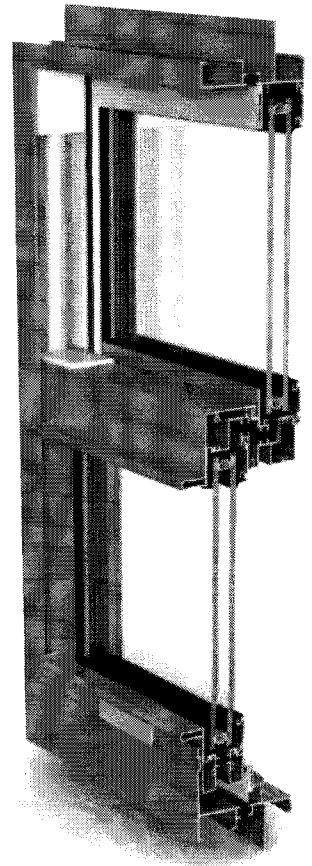
Printed Sep 30, 2020 10:39 AM

Accepted by: \_\_\_\_\_ Date: \_\_\_\_\_

# WINDOWS SERIES 8000 SINGLE HUNG WINDOW



- Tested to AAMA CW60
- Factory Glazed
- Thermally Insulated  
- NFRC Certified
- U-Factors as Low as 0.34
- 4-1/2" (114 mm)  
Deep Frame to Match  
Typical Building Conditions
- Choice of Block or Fin Frame
- 1" (25 mm) Glazing
- Class 5 Balance for Ease  
of Operation
- Accessories Like Screens,  
Mulling Bars, Subsills, Head  
and Jamb Channels are Available
- Available in an Array of Architectural  
Coatings and Anodized Finishes
- Complimented by the  
8200 Horizontal Sliding and  
8100 Fixed Windows
- Made in the USA



The 8000 Single Hung Window uses a Class 5 Balance for smooth operation. The 4-1/2" (114 mm) deep frame is designed to match typical building conditions, including our entrances and storefront.

An efficient thermally insulated frame accepts 1" (25 mm) glazing, with extruded pulls at the interlock and bottom rail. The window features a self-locking latch.



USE MONOLITHIC  
TEMPERED GLASS



VISIT  
[CRL-ARCH.COM](http://CRL-ARCH.COM)

FOR COMPLETE  
ARCHITECTURAL  
SPECIFICATIONS

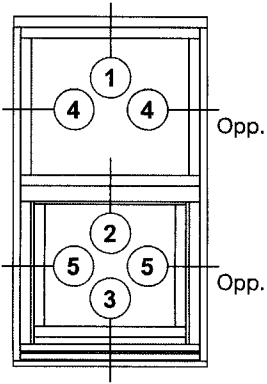
# CRL

## US ALUMINUM

[usalum.com](http://usalum.com) • [crlaurence.com](http://crlaurence.com)  
[crl-arch.com](http://crl-arch.com)

# SERIES 8000 SINGLE HUNG WINDOW

## TYPICAL DETAILS



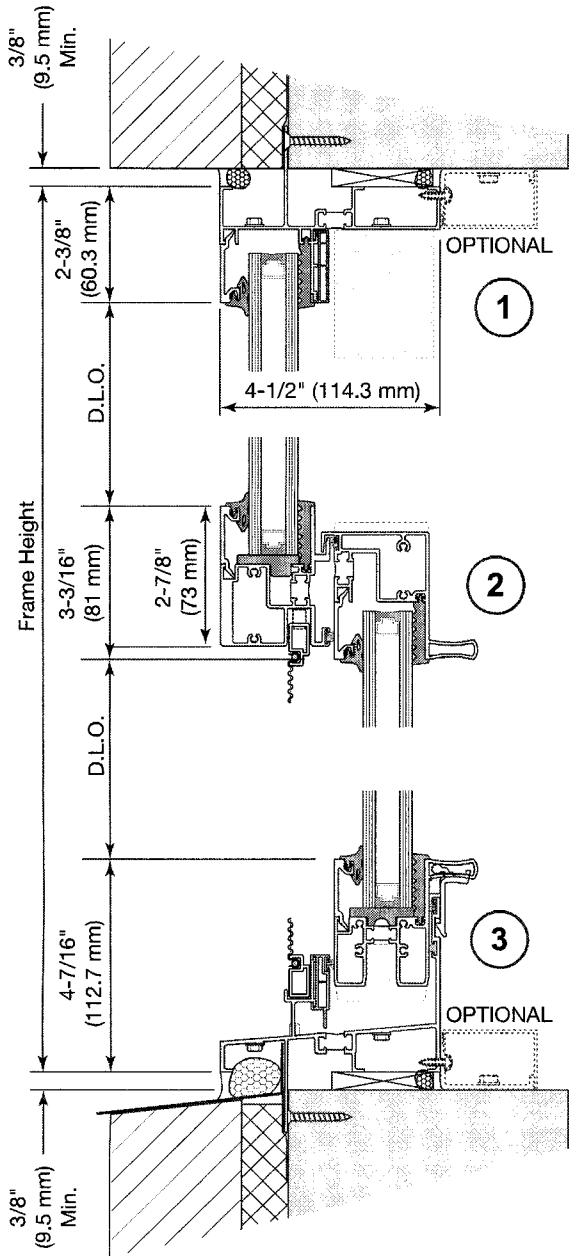
Maximum Frame Size  
56" x 91" (1422 x 2311 mm)

A complete set of details  
in DWG format is available  
at [www.usalum.com](http://www.usalum.com)

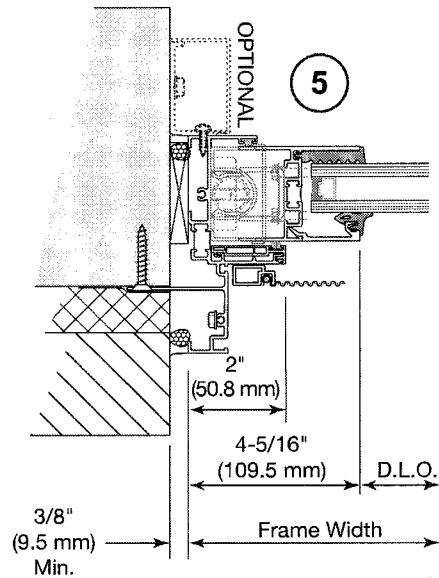
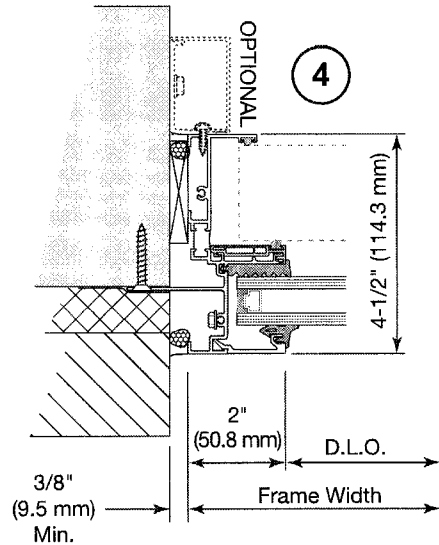
NOTE:  
• 1" (25 mm) Glazing Shown

Meets or exceeds specifications:

- AAMA/WDMA/CSA 101/1.S.2/A 440-08
  - ASTM E 283-04
  - ASTM E 330-02
  - ASTM E 331-00
  - AAMA 1503
- NFRC
  - NFRC 100-2004
  - NFRC 200-2004
  - NFRC 500-2004



Fin Frame  
Installation  
Method Shown



NOT TO SCALE

AVDB4212\_02/22/16



QUOTE # 17841

Date 12/2/2020

Clay County Memorial Hospital

310 W. South

Henrietta, TX 76365

- 23 Aluminum Tnt 74549 Single hung windows 48 X 67.5
- 23 Installation onsite with lift
- 4 Aluminum tnt 18947 Single hung windows 20 X 64
- 4 Installation onsite without lift
- 27 Misc. installation parts
- 27 Temper low E added

Total 74,689

Window World

8170 Freeway 172

Fort Worth TX, 76008